

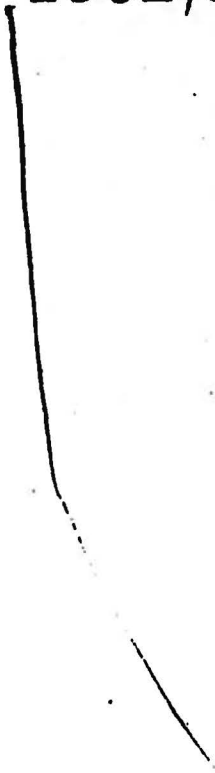


 **Kansai Special**
Industrial Sewing Machine

PARTS LIST

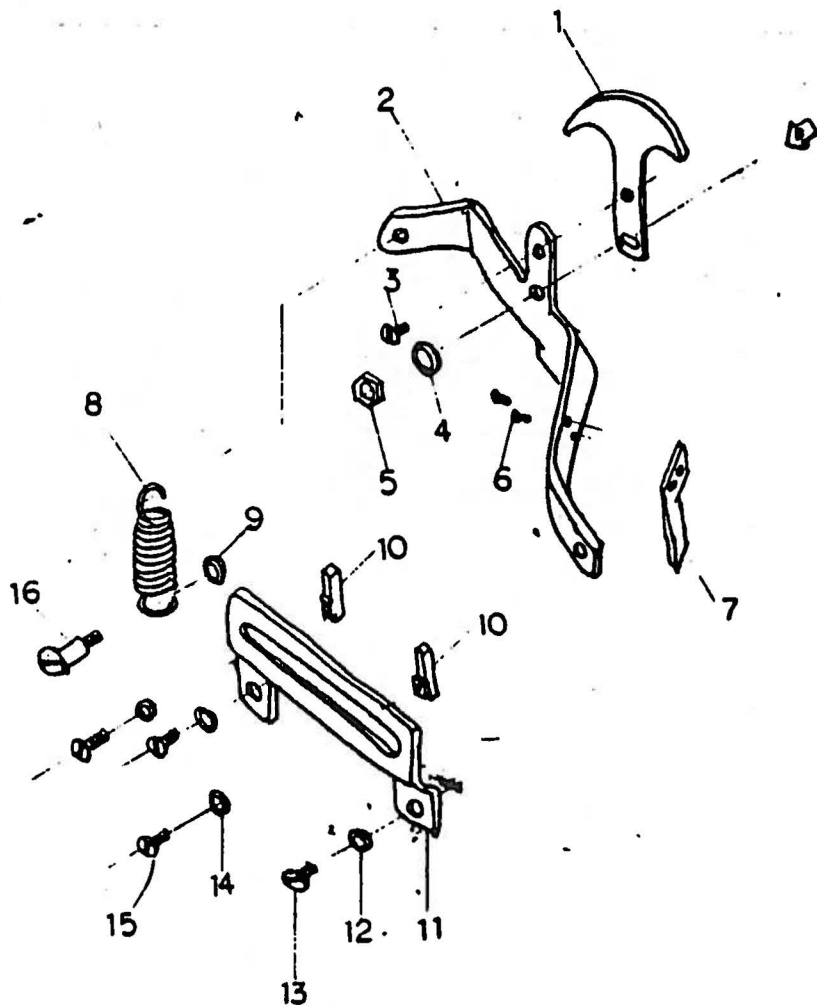
DLR

1502/IS



件名 Main shaft and feed rocker				送り先		備考 PLR-1502 IS	
Ref No.	Part No.	Part Name	Qty	Ref No.	Part No.	Part Name	Qty
1	71-	Main shaft	1	36	75-372	Washer	1
2	84-661	Screw	4	37	84-611	Screw	2
3	51-031	Main shaft plate	1	38	51-551	Differential feed rocker	1
4	85-624	Screw	1	39	71-563	Shaft	1
5	84-383	Screw	1	40	71-647	Feed rocker arm shaft	1
6	51-013	Feed crank adjusting post	1	41	75-372	Washer	1
7	23-197	O-ring	1	42	75-132	Collar	1
8	51-036	Stitch regulating stud cup	1	43	84-814	Screw	1
9	23-393	Felt	1	44	84-574	Screw	1
10		Screw	1	45	84-614	Screw	1
11		Screw	1	46	75-455	Washer	1
12	84-576	Screw	1	47	84-162	Screw	1
13	93-406	Snap ring	2	48	74-164	Screw	4
14	63-232	Eccentric link	2	49	51-111	Differential feed bar guide	2
15	91-406	Bearing	2	50	84-462	Screw	1
16	71-431	Eccentric link pin	2	51	86-311	Nut	1
17	23-341	Felt	2	52	75-522	Washer	1
18	61-322	Feed eccentric 0.9	1	53	81-563	Bushing	1
19	61-312	Upper avoid eccentric 0.8	1	54	81-141	Bushing	1
20	84-715	Screw	4	55	84-512	Screw	1
21	84-511	Screw	2	56	84-366	Screw	1
22	75-114	Collar	1	57	51-552	Main differential feed	1
23	84-711	Screw	2	58	84-363	Screw	1
24	49-502	Looper thread double disc take up	1	59	51-120	Front feed dog holder bracket	1
25	23-341	Felt	1	60	84-399	Screw	1
26	71-432	Feed rocker link pin	1	61	51-109	Differential feed bar guide	1
27	63-351	Feed rocker link A	1	62	51-554	Differential feed control link	2
28	91-271	Bearing	1	63	84-366	Screw	2
29	75-243	Feed crank link collar	1	64	71-433	Link pin	2
30	86-412	Nut	1	65	75-522	Washer	1
31	75-453	Washer	1	66	51-555	Differential feed control link	1
32	84-366	Screw	1	67	84-565	Screw	1
33	67-563	Feed rocker arm	1	68	84-312	Screw	1
34	84-814	Screw	1	69	51-558	Differential feed control lever	1
35	93-261	Snap ring	1	70	71-858	Crank shaft (5LB)	1

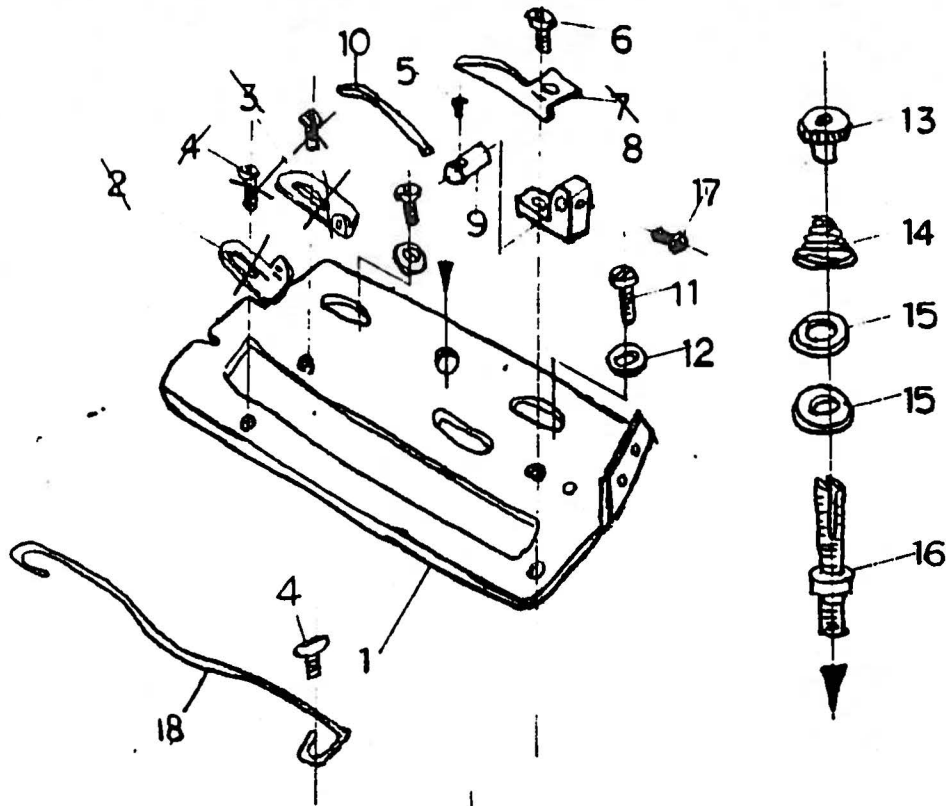
Differential feed controler



Differential feed controller

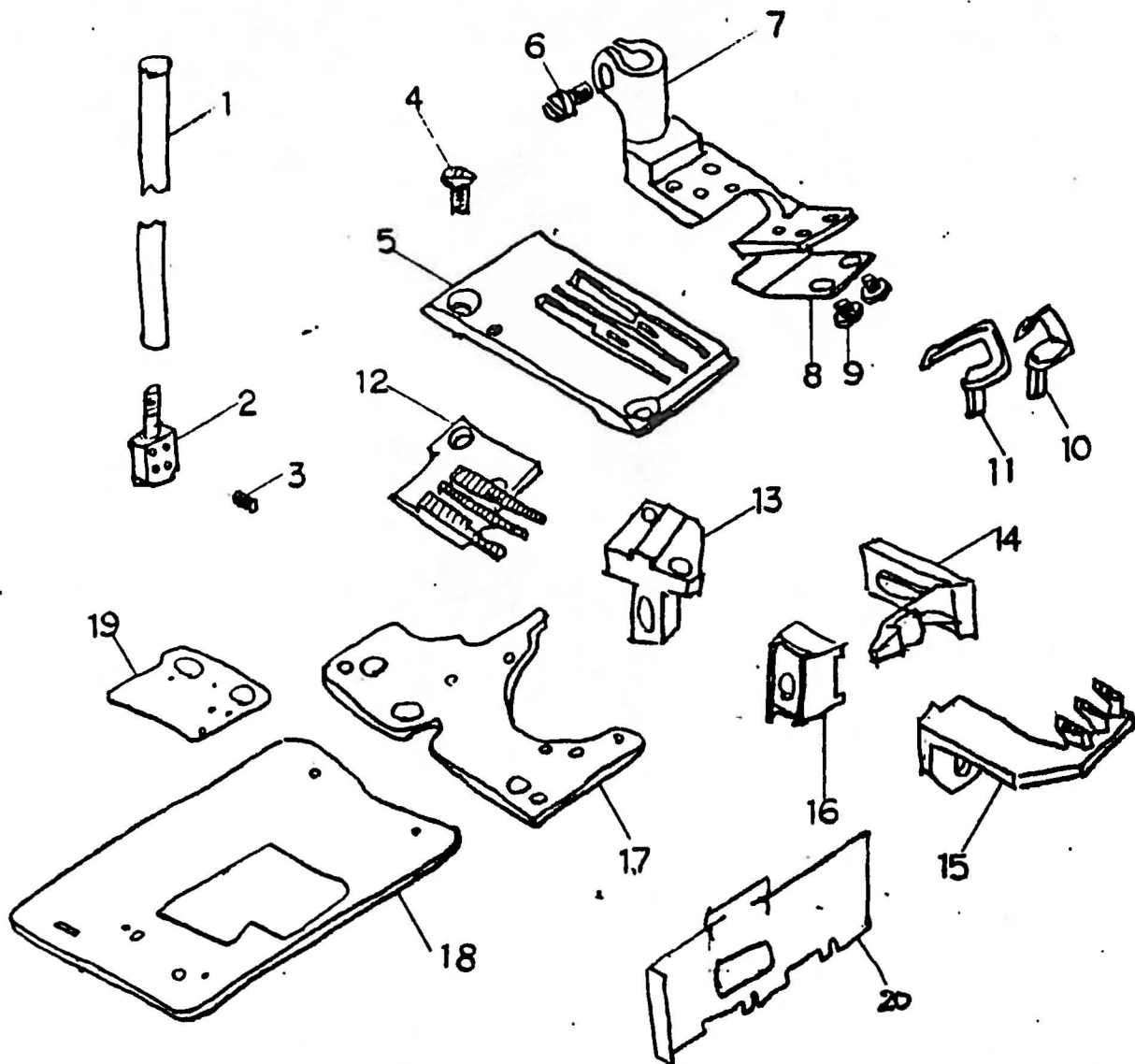
DLR-150215

Ref No.	Part No.	Part Name	Qty	Ref No.	Part No.	Part Name	Qty
1	51-553	Indicator	1	11	51-556	Stop block bracket	1
2	51-557	Control lever	1	12	75-467	Washer	2
3	84-564	Screw	1	13	84-571	Screw	2
4	75-456	Washer	1	14	75-467	Washer	2
5	86-313	Nut	1	15	84-566	Screw	2
6	84-514	Screw	2	16	84-582	Screw	1
7	51-562	Stopper	1				
8	79-563	Return Spring	1				
9	75-456	Washer	1				
10	51-560	Stop block	2				



Ref No	Part No	Part Name	Qty	Ref No	Part No	Part Name	Qty
1	43-501	Cast-off support bracket	1	11	84-571	Screw	2
X	47-131	Looper thread guide outlet (right)	1	12	75-455	Washer	2
X	47-132	(Left)	1	13	41-154	Nut	1
4	84-163	Screw	1	14	41-153	Spring	1
5	85-621	Screw	1	15	41-152	Disc	2
6	84-162	Screw	1	16	41-151	Looper thread guide tension stud	1
X	43-504	Cast-off	1	17	84-161	Screw	1
8	43-339	Retainer support bracket	1	18	43-909	Looper thread cast-off pin	1
9	43-502	Pin for retainer	1				
10	43-503	Looper thread retainer	1				

40-502 Cast-off support plate assy



Ref No	Part No	Part Name	Qty	Ref No	Part No	Part Name	Qty
1	11-704	Needle bar	1	12	15-564	Rear feed dog	1
2	12-511	Needle clamp (3/16)	1	13	51-117	Rear feed dog holder	1
3	84-511	Screw	2	14	18-532	Needle guard	1
4	84-464	Screw	2	15	15-562	Front feed dog	1
5	14-529	Needle plate (3/16)	1	16	18-708	Needle guard holder	1
6	84-382	Screw	1	17	14-056	Needle plate support	1
7	17-519	Presser foot (3/16)	1	18	21-565	Upper cloth plate	1
8	51-561	Cloth guide	1	19	21-528	Slide plate	1
9	84-163	Screw	2	20	21-354	Side plate cover	1
10	19-563	Looper . front	1				
11	19-564	Looper . rear	1				

DLR-150Z IS

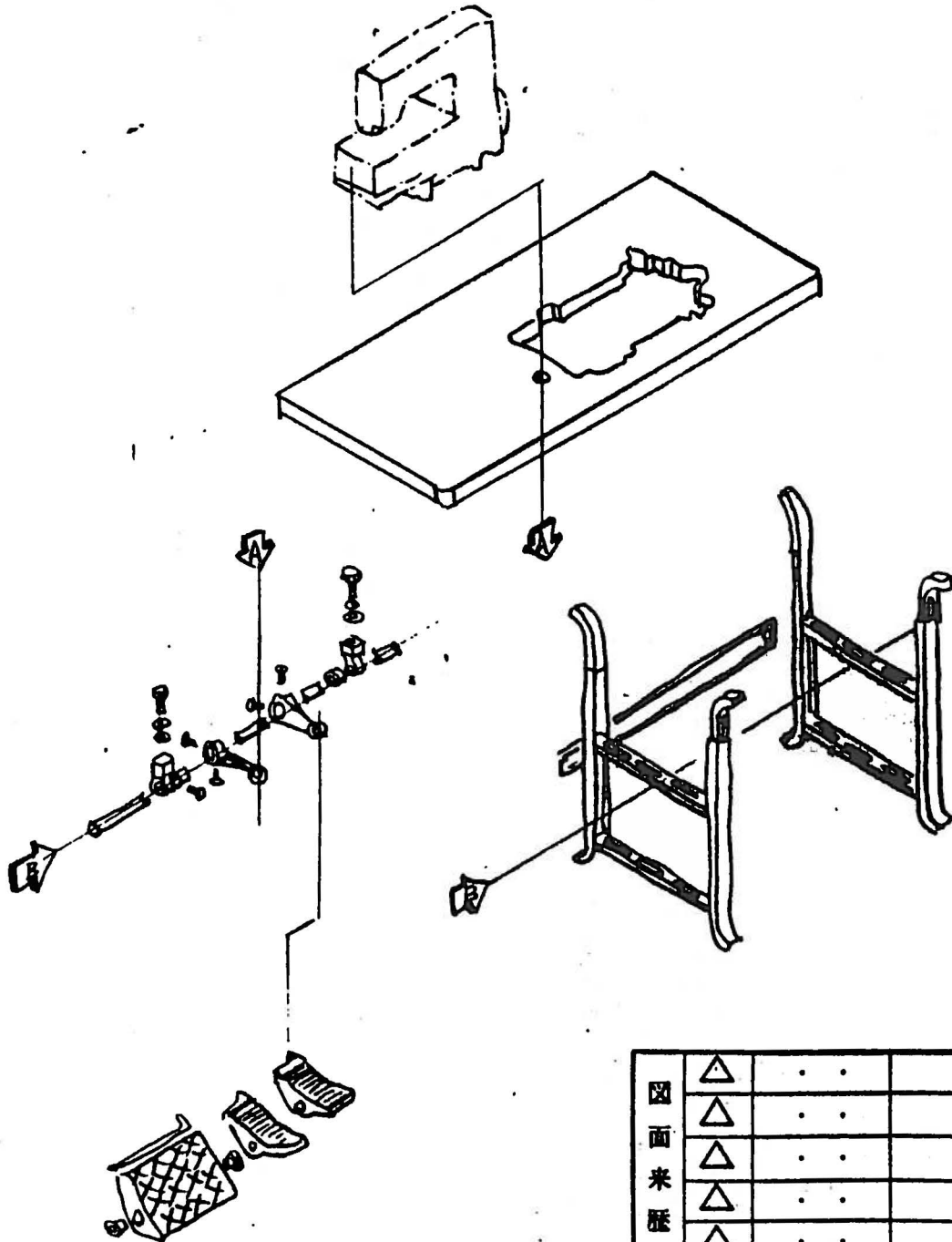


図 面 来 歴	△	.	.	
	△	.	.	
	△	.	.	
	△	.	.	
	△	.	.	
特記ナキ部分ノ 寸法公差				記入ナキ端面 All edges unless oth.
寸法区分	精級	中級	粗級	
1 以下	±10%	±15%	±20%	材質
1 ~ 4	±0.1	±0.2	±0.3	表面 処理
4 ~ 16	±0.2	±0.3	±0.4	数量
16 ~ 63	±0.3	±0.4	±0.6	作成年月日 Date
63 ~ 125	±0.4	±0.6	±1.0	